



LED Wheel

Effect Lighting

Applications

- Public Buildings
- Showrooms

Advantages

- Highly efficient energy saving
- Aesthetic design optimised for LED characteristics
- Designed to operate in LED light sources of up to 140W
- No lamp replacement for more than 5 years
- Low glare lighting

Luminaire

- Control gear IP 55
- Materials Housing: Aluminium
- Diffuser Acrylic
- Standard colour: Black

LED light sources

- Colour temperature Neutral white light (4 000K, CR≥70)
- Wattage 18W – 140W

Construction Details

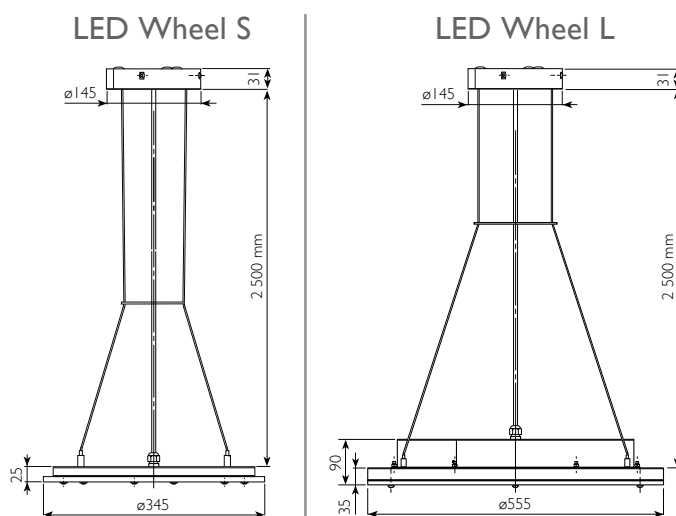
- Aluminium housing, enclosed by a glass/acrylic diffuser: The luminaire is suspended by means of 3-wire suspension.

Options

Electrical:

- Dimming Control: 1 – 10V
- Colour temperature: Warm white (3,000K)
Cool White (4,000K)

Dimensions in mm



Ordering Data

	Current (mA)	Lumen	Mass (kg)
Ledwheel 18W	500	1 800	3.2
Ledwheel 78W	700	8 800	14
Ledwheel 110W	500	13 734	14
Ledwheel 140W	700	17 601	14