

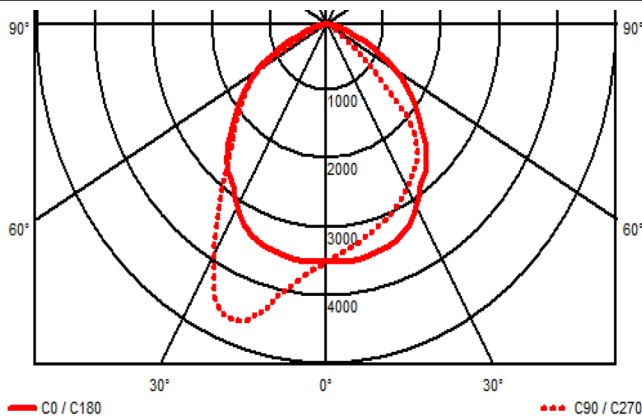


LED Floodlight Med

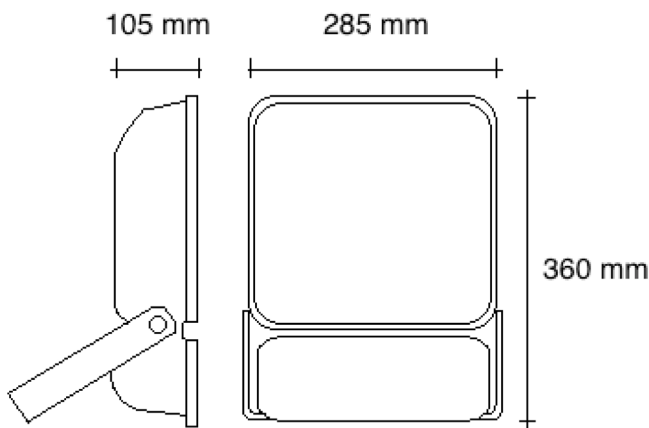
Effect Lighting

Product Specification

Photometric Data



— C0 / C180
Product Diagram



Technical Specifications

	Single Colour	RGBW
Body construction	Die cast LM6 aluminium - powder coated	Die cast LM6 aluminium - powder coated
Front glass cover	4mm heat tempered safety glass.	4mm heat tempered safety glass.
LED type	LG or Luxeon in warm white 3000K, neutral white 5000K	RGBW High power Luxeon
Lighting performance	112W (48 @700mA) – 11200 lumen – 5000K 112W (48@700mA) – 10300 lumen – 3000K 125W (152@100mA) – 13000 lumen – 5000K	112W Red – 28W Green – 28W Blue – 28W White – 28W
Supply voltage	230V AC	Colour mixing control required
IP rating	IP 65	IP 65
Installation data	Available	Available

This product is suitable for operation in outdoor and marine environments. (not suitable for submersion)