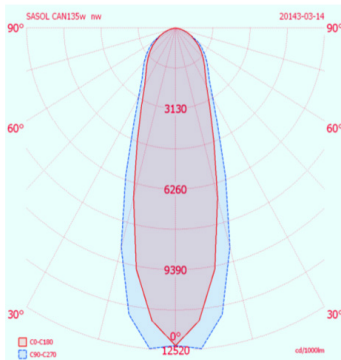




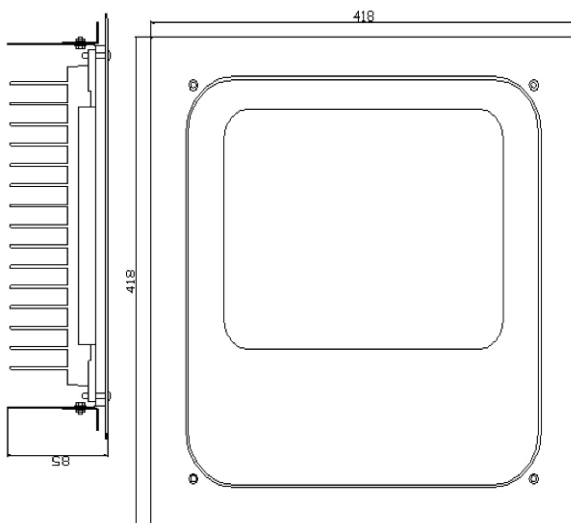
Canopy LED

Product Specification

Photometric Data



Product Diagram



Technical Specifications

Body Construction	Die cast aluminium base with pressed steel soffit – all powder coated in external grade.
	Toughened glass cover
Lens and Reflector type	Using lenses many beam distributions are possible, as standard for service stations a combination of 120 degree symmetrical with either 30 or 60 degree lenses for additional downward throw.
Lumen options/Watts	137W – total circuit load. 60 high power LG LEDs – each producing 240 lumens – so total initial lumens = 14400.
	Efficacy – 105 lumens per watt
Supply Voltage	230V AC 50HZ
IP Rating	IP 65
Control Gear	Floating external
Installation Data	IES Files – Yes
Dimmable?	Standard – no, but with correct gear – then; Dali – Yes 1-10V – Yes DMX – Yes Triac – Yes