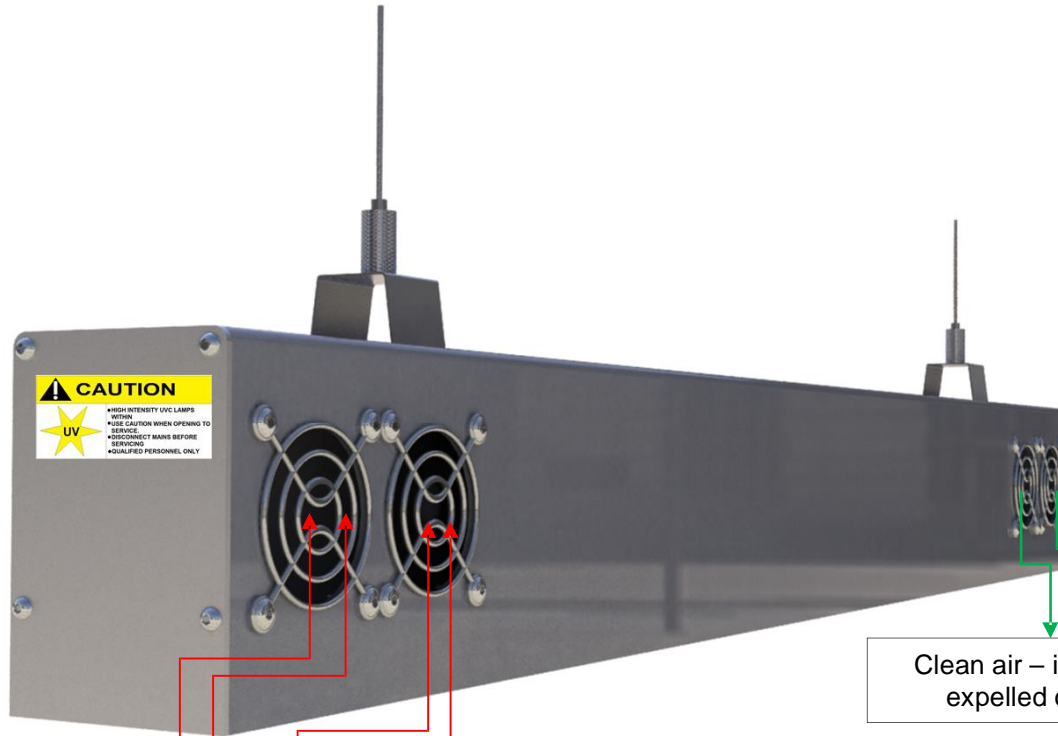




Pendant or Surface or pedestal mount



CAUTION
HIGH-INTENSITY UVC LAMPS
WITHIN
#USE CAUTION WHEN OPENING TO
SERVICE
#DISCONNECT MAINS BEFORE
SERVICING
#QUALIFIED PERSONNEL ONLY

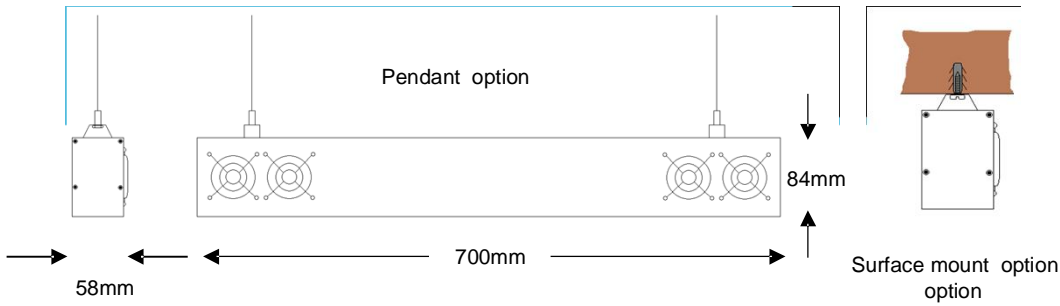
Dirty pathogens are sucked in – destroyed by the UVC (254nm) light within – and the clean air is expelled.

Clean air – is then expelled out.



Pedestal (tripod) mount option

Repeated applications may be required – only for use by trained professional users



How it works...

Air is sucked in on the left side – through the slots, through a sponge filter – then into a chamber containing 2 x UVC lamps (254nm) – the UVC lamps destroy the pathogens in the air and the air is then expelled through the vents on the right.

One of these UVC air scrubbers can clean a room of 5m x 5m x 2,6m - 3 -4 times an hour.

As the UVC lamps are not exposed - this unit is safe to use while humans are in the room.

Please note – this device is for the destruction of air borne pathogens – it will not clean surfaces – like tabletops. For the destruction of surface mounted pathogens – please make use of our hand held 'Magic Wand UVC cleaner

Details	
Body construction	Extruded aluminium – anodised. End caps are laser cut aluminium.
UVC chamber	Within the extrusion – not visible to humans.
Colour of body	Standard is natural anodised - special colours – on request.
UVC lamp type	Osram or Phillips UVC 18W (x2) – in PL or Dulux shape. Wavelength is 254nm
Power supply for lamps	Tridonic or Helvar or VS – electronic.
Fan Type	2 x MAGLEV fans (Magnetic Levitation – so no ball bearings or bushes – hence the 50 000 hour plus life.
Effective lamp life	8000 hours. An hour meter can be added – to enable maintenance staff to accurately monitor the lamp life.
Supply voltage	230V AC 50HZ
Wattage and power factor	72W – including 2 lamps plus 2 MagLEV fans Power factor is plus 0,95
UVC effective wattage – when new	11W of 254nm
IP rating	IP 20
Surge arrestor	Either 10 or 20kVA within – this item will protect up to 20 events (like a transient spike caused by load shedding) thereafter it would need replacing. Once the surge arrestor has used up its 20 lives – it disconnects the mains feed to all other control gear protecting all gear.

Due to the nature of UVC radiation – within the radiation chamber – plastic items like plastic finger guards on the filters will degrade over time and will need replacing from time time