

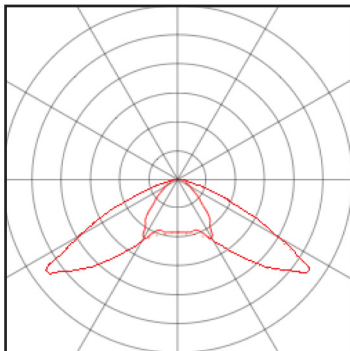


## 28W Solar Area / Street LED Lighting

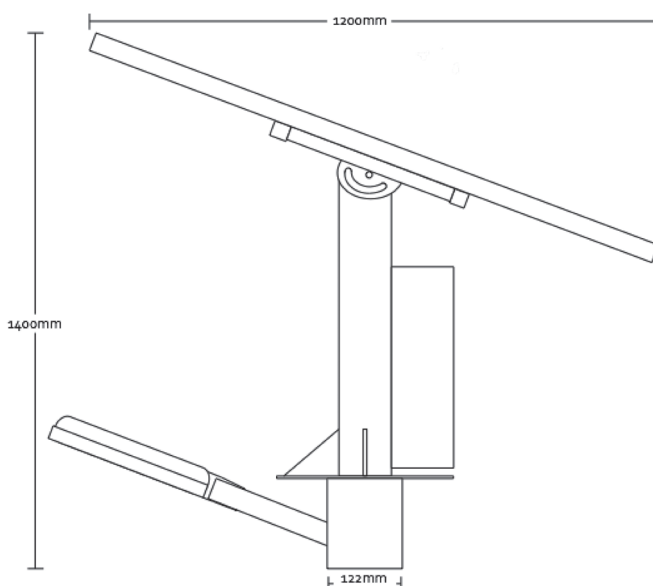
Effect Lighting

### Product Specification

#### Photometric Data



#### Product Diagram



#### Technical Specifications

	Solar Kit	LED streetlight
Body construction	Steel powder coated	LM6 Aluminium powder coated. Lens - toughened glass
Solar panel	Polycrystal 100W 12V	NA
LED type		Seoul or LG
Lumen options		Neutral white 5000K - 3000 lumens
Battery type	Deep cycle lead acid. 100A/H 12V	
Wattage on streetlight		28W
IP rating		IP 65
Control Type	Intuitive controller for looking after battery. Also for daylight/night sensing - no photocell required. Programmeable to bespoke performance - ie different levels at different times programmeable. System designed to function even if overcast. Alternatively - use a photocell	
weight	Weight 65kg - windage area 1 square metre. If the battery can be placed at the bottom the weight can be reduced substantially	