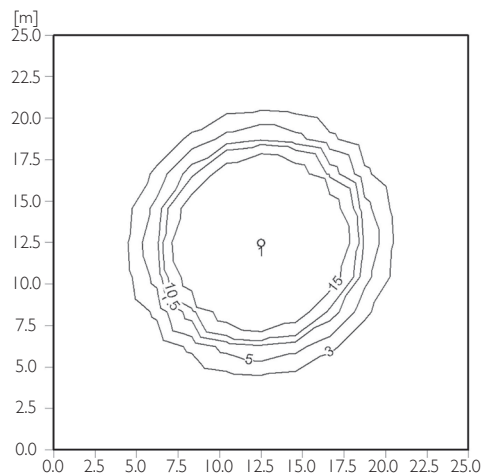
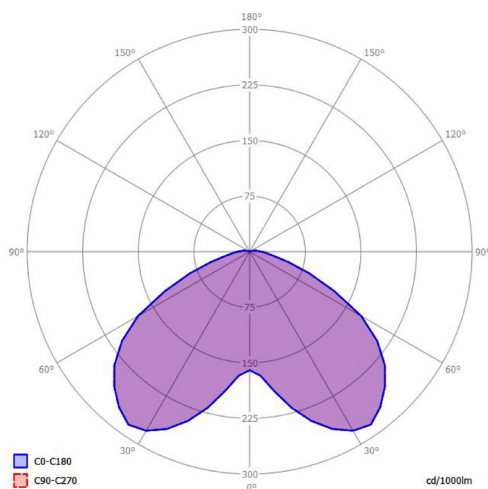




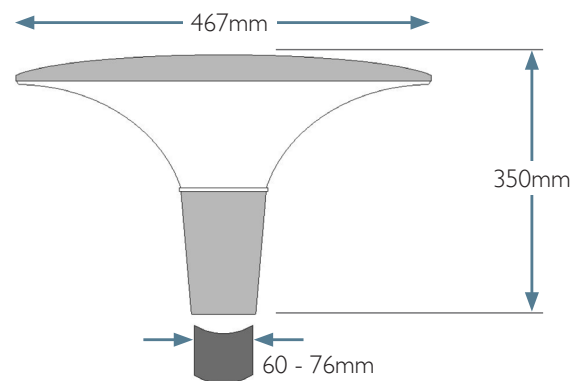
## Blade LED Post Top

Effect Lighting

### Photometry



### Dimensions



### Specifications

Body construction	LM 6 aluminium – either anodised or powder coated
Lens	Frosted acrylic
Lumen options/Watts	From 30W to 55W
Length options	Typically 140 lumens per W – total circuit load efficiency - before exiting lens So a 50W would be 7000 lumens Lumens are measured at the PCB – please allow for 20% losses through lens
Supply voltage	230V AC 50HZ
IP rating	IP 66
Control Gear	50 000 hour Tridonic or Helvar TCI – internally mounted
Installation Data	IES Files - Yes
Dimmable?	Standard - no but with correct gear then: Dali - Yes   1 - 10V - Yes DMX - Yes   Triac - Yes

Lumen values are as measured at source - on the PCB - not exiting light fitting. Values are subject to change at any time and without notice.