

LED Hat Post Top Light

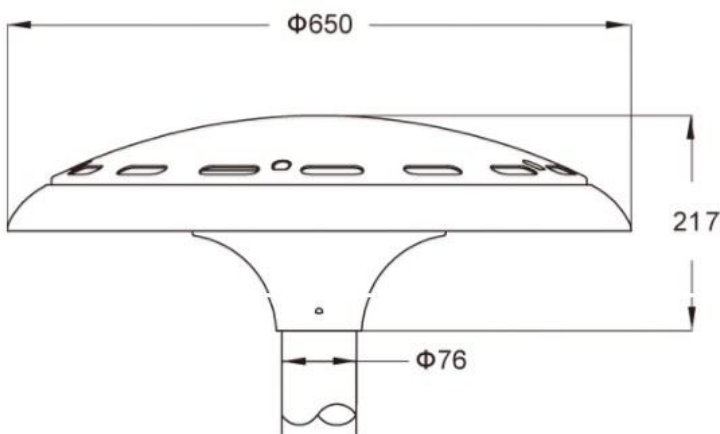
40W/50W/60W



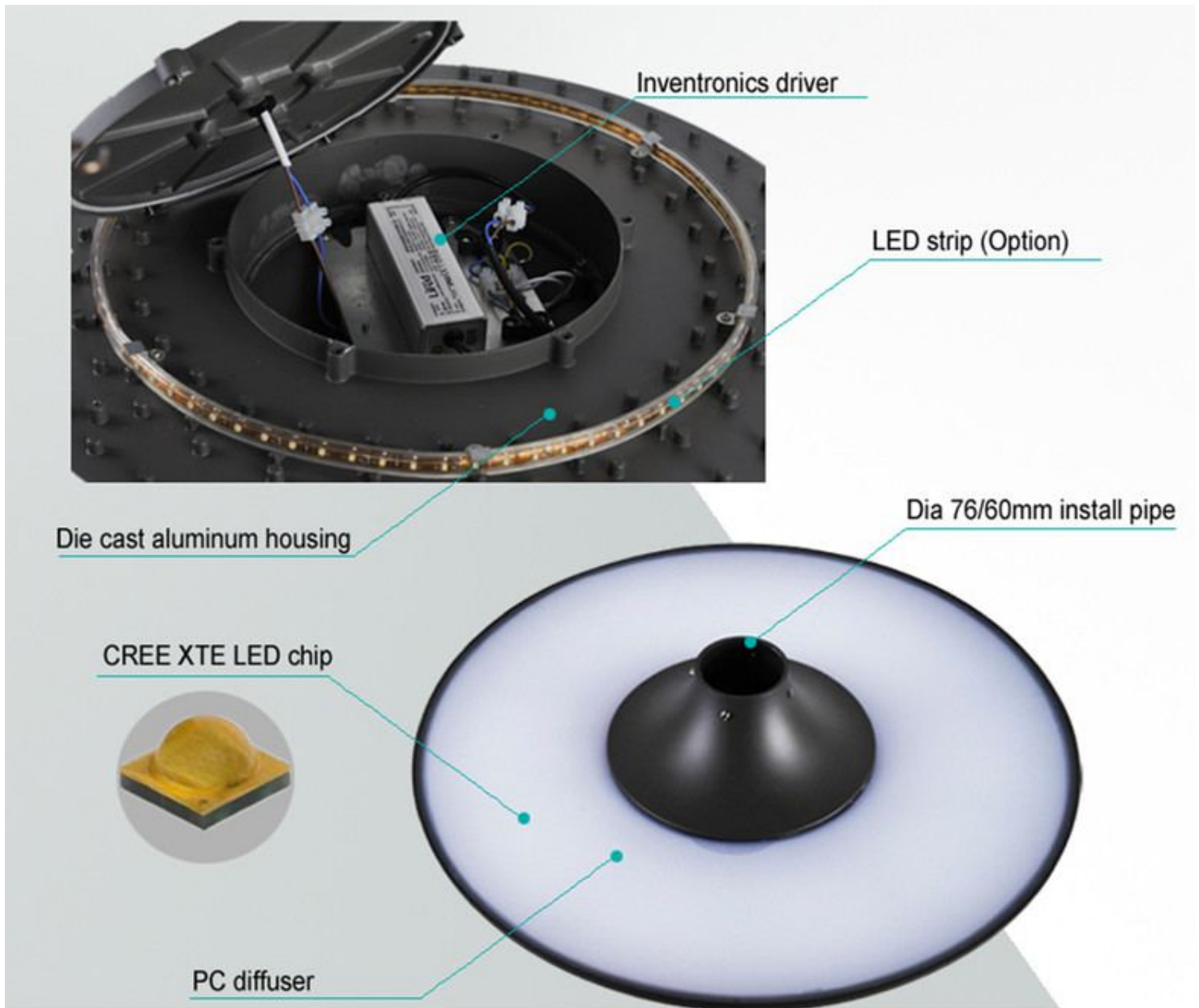
1. Characteristics

IP rate:	IP 66
Control gear tightness level:	IP 67
Impact resistance :	IK 08
Input voltage:	100-277VAC, 50-60Hz
Electrical class:	I
Lamp Power(W):	40-60w
Power Factor:	>0.95
CRI:	70/80
Beam Angle(°):	160x60
LED Light Source:	CREE
Correlated colour temperature (CCT):	4000K, optional : 3000K/5700K
Materials: Body:	Marine grade aluminium (EN 1706 AC-44300)
Protector:	PC (polycarbonate)
Installation height:	3-5m
Mounting mode:	Post top
Installation diameter:	Ø76MM
Warranty:	5 Years

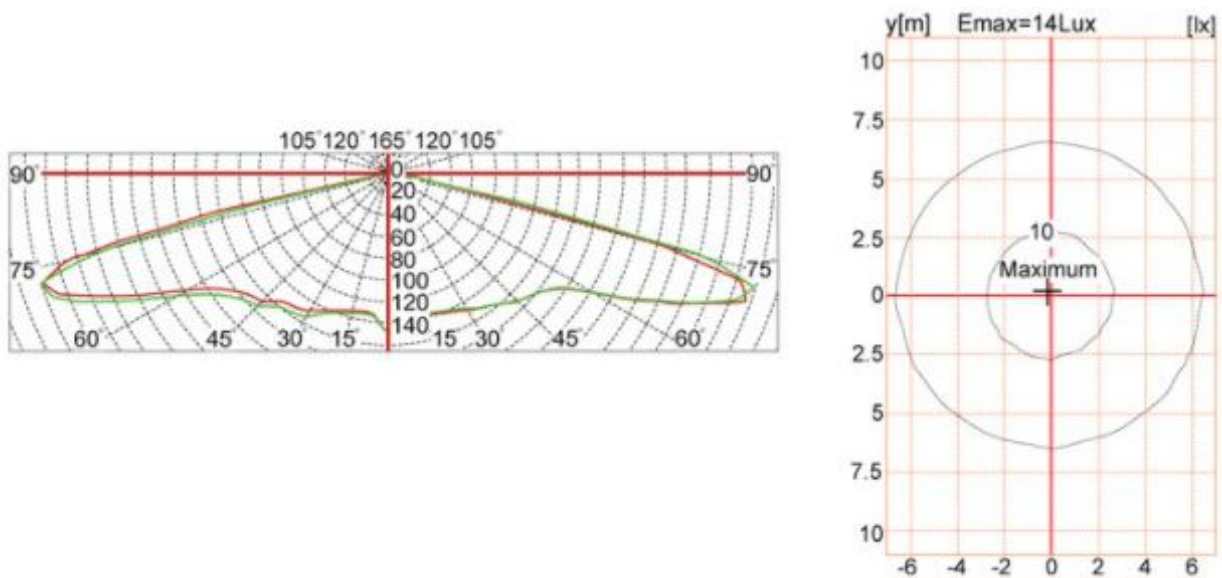
2. Size



3. Internal Structure:



4. Light Distribution:



5. Internal Structure:

Rated Power	Luminous Flux			G.W/N.W	Packaging Size
	WW	NW	CW		
40W	4400	4800	4800	10.5/9(kgs)	710x285x725mm
50W	5500	6000	6000	10.5/9(kgs)	710x285x725mm
60W	6600	7200	7200	10.5/9(kgs)	710x285x725mm

6. Applications:

Parking area, square area, mall, park, etc

