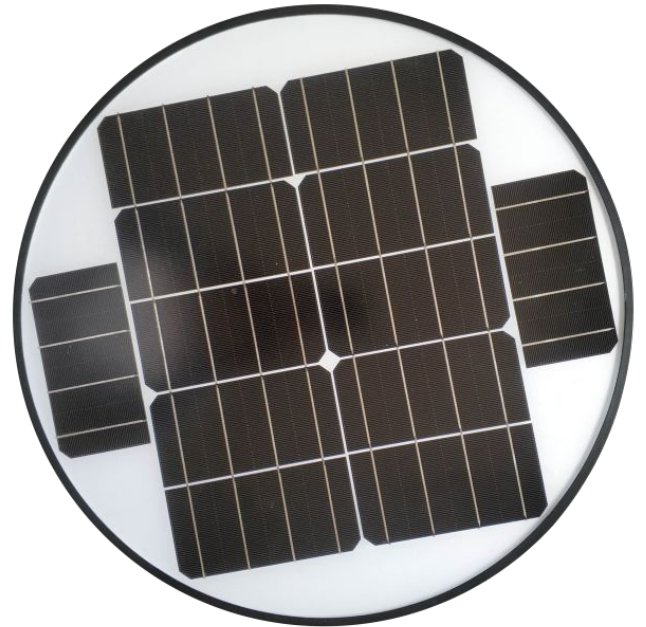


Solar LED All in One Post Top Light

40W/50W/60W



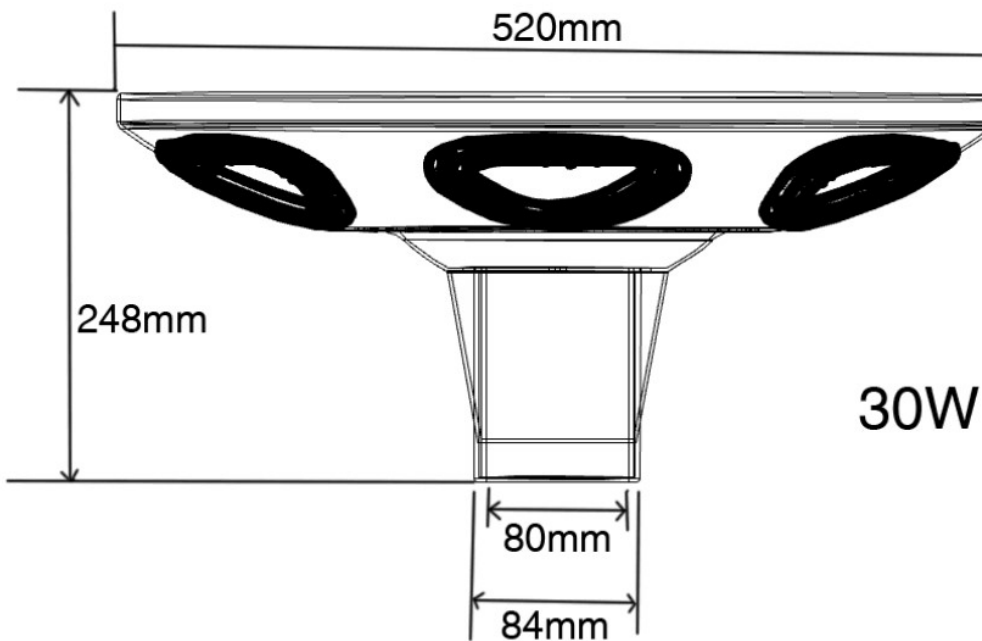
1. Application

Urban roads, squares, parking, residential areas, institutions, military barracks, industrial areas, farms, resorts, villas, courtyards and other outdoor places of lighting.

2. Features

- All in one design
- Integrated design without cabling
- Waterproof IP65
- Solar power free, no maintenance cost
- High efficiency Monocrystalline silicon solar panel, lifespan 25 years
- Integrates lighting sensor and timing control to save power
- 5 years warranty

3. Size

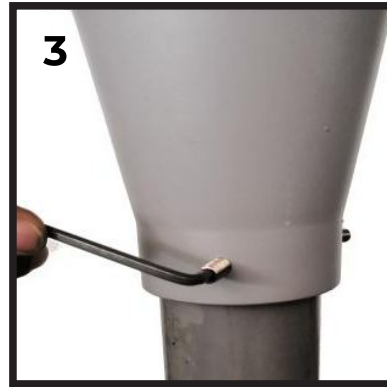


4. Technical parameters

Wattage	30W
Solar panel	Monocrystalline 6V25W
LFP lithium Battery	3.2V36AH
Material Housing	6063 Aluminum Alloy
LED quantity	312PCS
PIR motion sensor	Detection distance:5-8m Detection Angle:<140°
Lighting mode	Motion sensor mode & timing control mode
LED Working Mode & working time	1. Mode A :4Hrs 100% power working = remaining time working with sensor 2. Mode B : Sensor mode for whole night
Turn ON /OFF	Turn on and Turn off the lamp by remote control.
Charging time	10 hours under strong sunlight
Discharge conditions	-10°C- +50°C
Charging conditions	0°C- +50°C
Installation Height:	4-6m
Installation spacing	9-12m
Commend pole diameter	Φ76mm
Product Size	Φ520mm*H105±5% Φ520mm*H248±5%(with base)
Water poof class	IP65

5. Installation

1. Before installation, please do the following test: turn on the power switch (press button switch), and cover the solar panel with cardboard (or put the solar panel on the ground), the post top should be light up. Then take away the shelter and the post top should light Off. *(picture 1)*
2. Loosen the fixing screw on the base of the post top properly until it can fit into the pole. *(picture 2)*
3. Adjust the position of the post top on the base and tighten the fastening screws properly. *(picture 3)*



After installation, please use the remote face toward the sensor and press the button "ON", the fixture will flash 1 time and then light up. Please set the working mode as following steps:

- Press "A" button, the lamp will be 100% power working at the first 4 hours+ remaining time working with Sensor.
- Press "B" button, the lamp will working at sensor mode for whole night.

After setting finished, the fixture will flash 1 time and then light off if at daytime, then work normally at night.